



## Network Cabinets |

**Middle East**

U.A.E: +971-522454439

K.S.A: +966-539170650

**GZ Solutions**

Website: [www.gzsolution.com](http://www.gzsolution.com)

**United Kingdom**

Phone:+44-7404335978

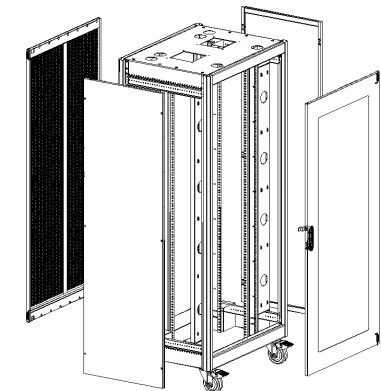
[sales@gzsolution.com](mailto:sales@gzsolution.com)

# Designed for Scalable Growth

## Network Cabinet

Network Cabinet solutions for advanced storage, cooling, power distribution, cable management and security in data centres and network rooms.

Designed to accommodate today's powerful computing hardware and scalable to cater for emerging high end blade server and equipment technologies that are rapidly appearing over the horizon - the world and the data centre environment is changing and a new generation of rack solutions is born for this change.



	Model No.	Width		Depth				Height			
				Overall		Effective		Overall		Effective	
		mm	inch	mm	inch	mm	inch	mm	inch	mm	inch
<b>47U</b>	CTS-CBNT-47U-0606	600	24"	600	24"	540	21"	2382	94"	2272	89"
	CTS-CBNT-47U-0608	600	24"	800	31"	740	29"	2382	94"	2272	89"
	CTS-CBNT-47U-0609	600	24"	900	35"	840	33"	2382	94"	2272	89"
	CTS-CBNT-47U-0610	600	24"	1000	39"	940	37"	2382	94"	2272	89"
	CTS-CBNT-47U-0611	600	24"	1100	43"	1040	41"	2382	94"	2272	89"
	CTS-CBNT-47U-0612	600	24"	1200	47"	1140	45"	2382	94"	2272	89"
	CTS-CBNT-47U-0706	700	28"	600	24"	540	21"	2382	94"	2272	89"
	CTS-CBNT-47U-0708	700	28"	800	31"	740	29"	2382	94"	2272	89"
	CTS-CBNT-47U-0709	700	28"	900	35"	840	33"	2382	94"	2272	89"
	CTS-CBNT-47U-0710	700	28"	1000	39"	940	37"	2382	94"	2272	89"
	CTS-CBNT-47U-0711	700	28"	1100	43"	1040	41"	2382	94"	2272	89"
	CTS-CBNT-47U-0712	700	28"	1200	47"	1140	45"	2382	94"	2272	89"
	CTS-CBNT-47U-0806	800	31"	600	24"	540	21"	2382	94"	2272	89"
	CTS-CBNT-47U-0808	800	31"	800	31"	740	29"	2382	94"	2272	89"
	CTS-CBNT-47U-0809	800	31"	900	35"	840	33"	2382	94"	2272	89"
	CTS-CBNT-47U-0810	800	31"	1000	39"	940	37"	2382	94"	2272	89"
CTS-CBNT-47U-0811	800	31"	1100	43"	1040	41"	2382	94"	2272	89"	
CTS-CBNT-47U-0812	800	31"	1200	47"	1140	45"	2382	94"	2272	89"	
<b>42U</b>	CTS-CBNT-42U-0606	600	24"	600	24"	540	21"	2160	85"	2050	81"
	CTS-CBNT-42U-0608	600	24"	800	31"	740	29"	2160	85"	2050	81"
	CTS-CBNT-42U-0609	600	24"	900	35"	840	33"	2160	85"	2050	81"
	CTS-CBNT-42U-0610	600	24"	1000	39"	940	37"	2160	85"	2050	81"
	CTS-CBNT-42U-0611	600	24"	1100	43"	1040	41"	2160	85"	2050	81"
	CTS-CBNT-42U-0612	600	24"	1200	47"	1140	45"	2160	85"	2050	81"
	CTS-CBNT-42U-0706	700	28"	600	24"	540	21"	2160	85"	2050	81"
	CTS-CBNT-42U-0708	700	28"	800	31"	740	29"	2160	85"	2050	81"
	CTS-CBNT-42U-0709	700	28"	900	35"	840	33"	2160	85"	2050	81"
	CTS-CBNT-42U-0710	700	28"	1000	39"	940	37"	2160	85"	2050	81"
	CTS-CBNT-42U-0711	700	28"	1100	43"	1040	41"	2160	85"	2050	81"
	CTS-CBNT-42U-0712	700	28"	1200	47"	1140	45"	2160	85"	2050	81"
	CTS-CBNT-42U-0806	800	31"	600	24"	540	21"	2160	85"	2050	81"
	CTS-CBNT-42U-0808	800	31"	800	31"	740	29"	2160	85"	2050	81"
	CTS-CBNT-42U-0809	800	31"	900	35"	840	33"	2160	85"	2050	81"
	CTS-CBNT-42U-0810	800	31"	1000	39"	940	37"	2160	85"	2050	81"
CTS-CBNT-42U-0811	800	31"	1100	43"	1040	41"	2160	85"	2050	81"	
CTS-CBNT-42U-0812	800	31"	1200	47"	1140	45"	2382	94"	2272	89"	
<b>18U</b>	CTS-CBNT-18U-0606	600	24"	600	24"	540	21"	1070	42"	1000	24"
<b>14U</b>	CTS-CBNT-14U-0606	600	24"	600	24"	540	21"	870	34"	800	31"
<b>12U</b>	CTS-CBNT-12U-0606	600	24"	600	24"	540	21"	635	25"	600	24"
<b>09U</b>	CTS-CBNT-09U-0606	600	24"	600	24"	540	21"	501	19.8"	482	19"

Overall Height: w/ castors  
Effective Height:w/o castors

Overall Depth: Door to Door  
Effective Depth: Frame to Frame

# Compatibility



**DELL™**  
PowerEdge™ Server  
(2600 shown)



**HP™**  
ProLiant™ Server  
(DL380 G3 shown)

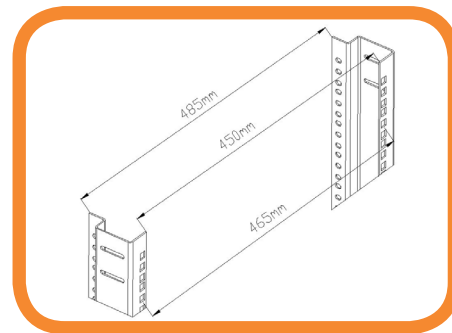
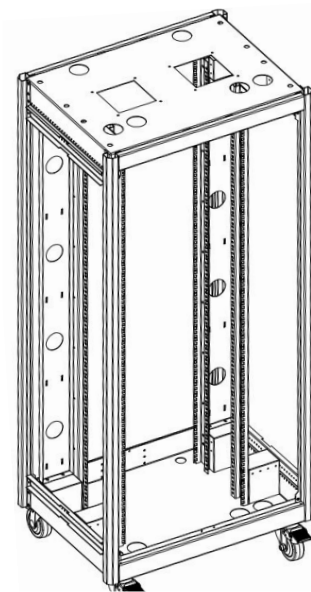


**IBM™**  
xSeries™  
(x305 shown)



All brand names, logo and registered trademarks are properties of their respective owners.

Manufacturer	Series
Apple™	Xserve G5™
Apple™	Xserve RAID™
DELL™	PowerEdge™
HP®	ProLiant™
HP®	Integrity™
IBM®	BladeCenter®
IBM®	eServer® Cluster
Sun™	Sun Fire™
Sun™	Sun Fire Blade™



## Universal Storage

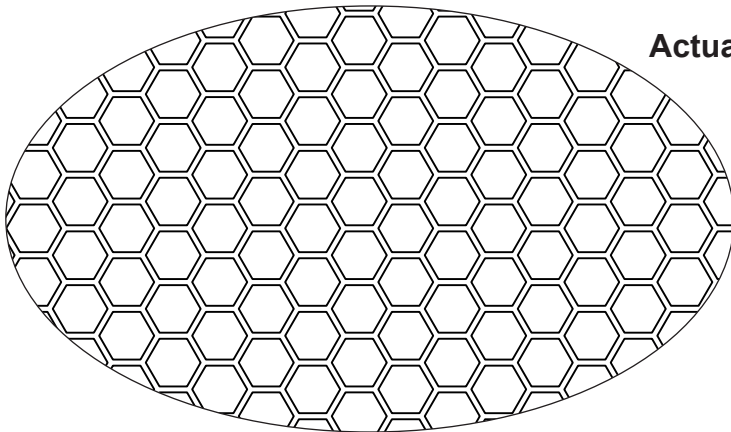
The rack provides an ideal equipment cabinet environment, designed around universal standards, for the compatible mounting of both OEM manufactured servers, from leading vendors such as IBM, HP, DELL and SUN, as well as all 19" rack mountable solutions.

While the Emerging technology of Blade servers cards allows for very high density computing power within a single rack, it becomes mission critical to ensure that the enclosure is specifically designed to dissipate the additional heat generated and manage the increased power and cable requirements it is engineered to provide flexibility whilst maximizing your investment protection in both your technology and more critically your data storage.

# Structure

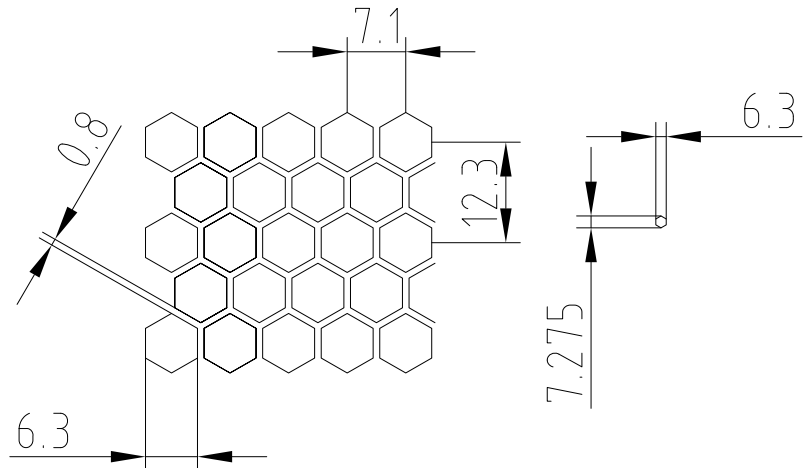


# Critical Advanced Cooling



**Actual Size**

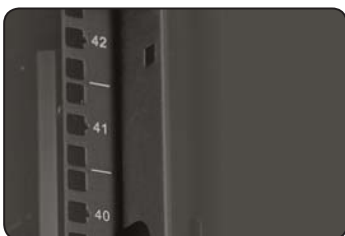
Air flow up to 80% perforated area



Nowadays cooling is a critical concern due to the increasing density of high end or blade type servers. Conventional cooling technologies and traditional style cabinets are no longer sufficient to stand up to such challenge.

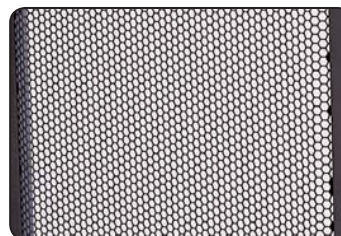
The Rack is designed and engineered, whilst providing absolute user flexibility, to meet these emerging thermal challenges.

One of the outstanding designs of this rack is offering up to 80% perforated areas which ensures the ultimate in air pattern and flow. Optional fans and custom-designed cabinets cladding. All these cooling solution designs meet or exceed most major products in the market for air flow.



**Unit Markings**

Located on mounting angles for easy installation of equipment



**Hexagon Perforated Holes**

filled every fully perforated doors and assure optimal air flow.

**Middle East**

U.A.E: +971-522454439  
K.S.A: +966-539170650

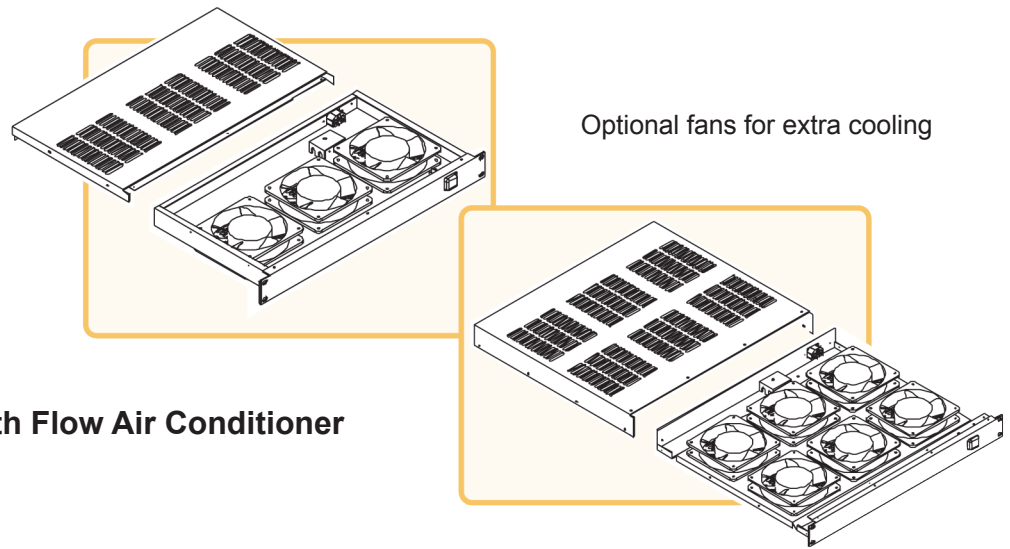
**GZ Solutions**

Website: [www.gzsolution.com](http://www.gzsolution.com)

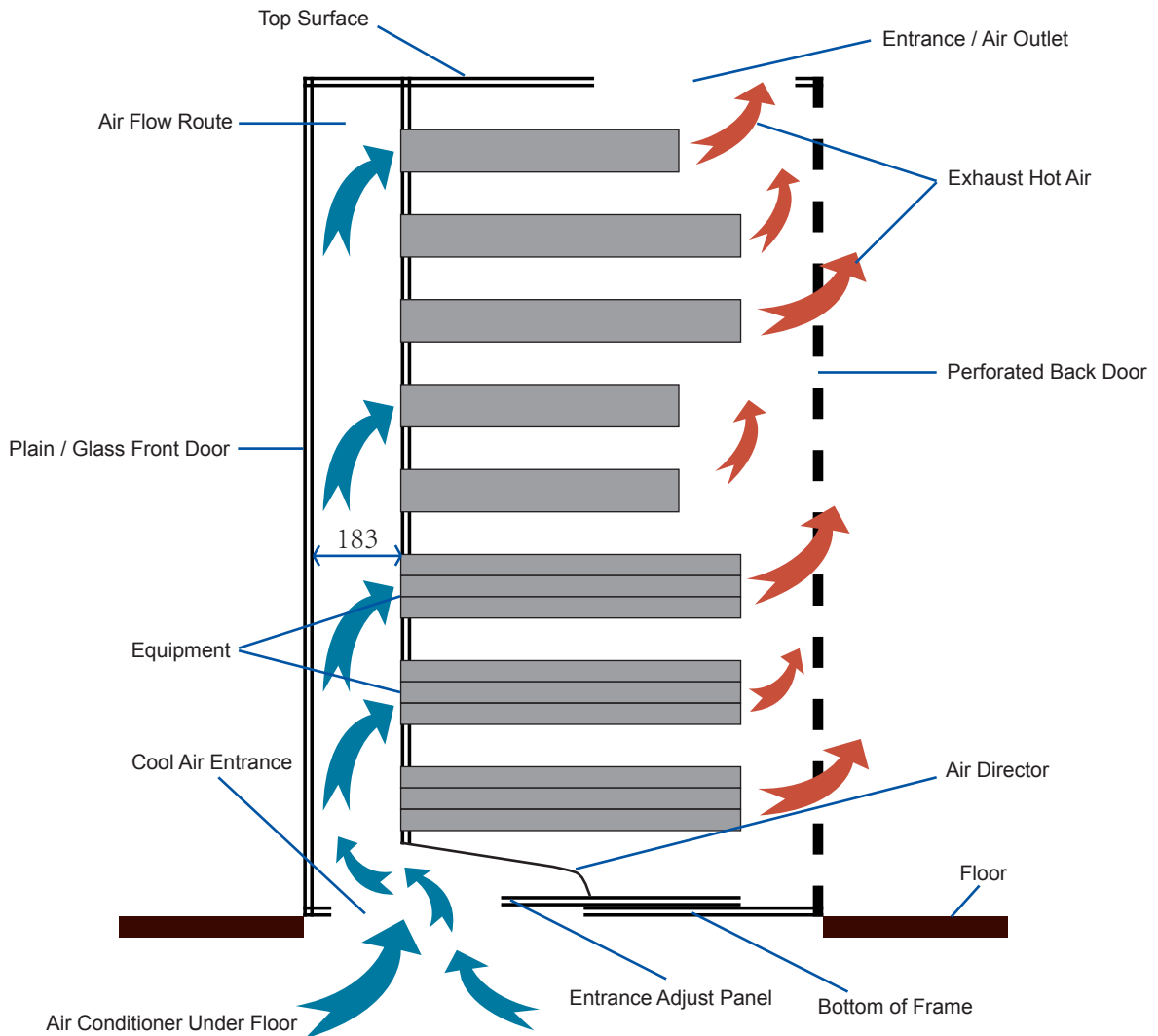
**United Kingdom**

Phone: +44-7404335978  
[sales@gzsolution.com](mailto:sales@gzsolution.com)

# Cooling



**Air Flow Route With Flow Air Conditioner**

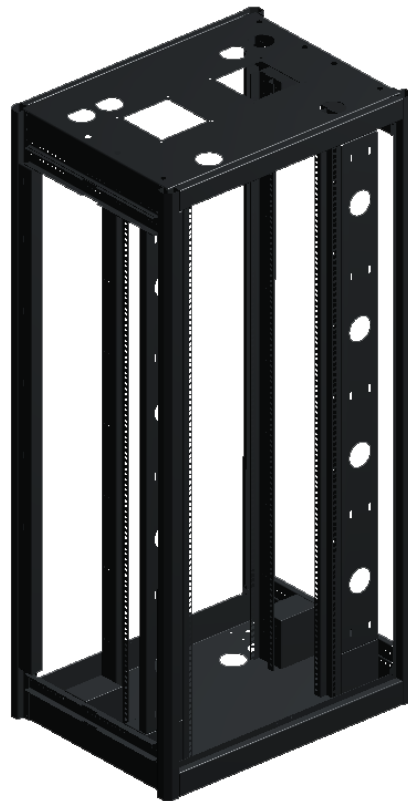


# Efficient Cable Management

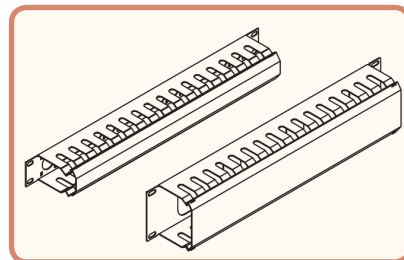
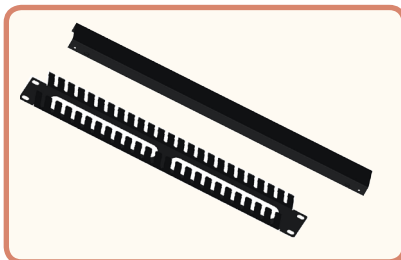
In today's data centres, the use of cabinets not specifically designed for high density equipment applications can lead to unsightly, often incorrectly installed or improperly managed cables. In the worst case this can affect data throughput as well as causing maintenance and thermal problems by blocking proper air flow.



Top



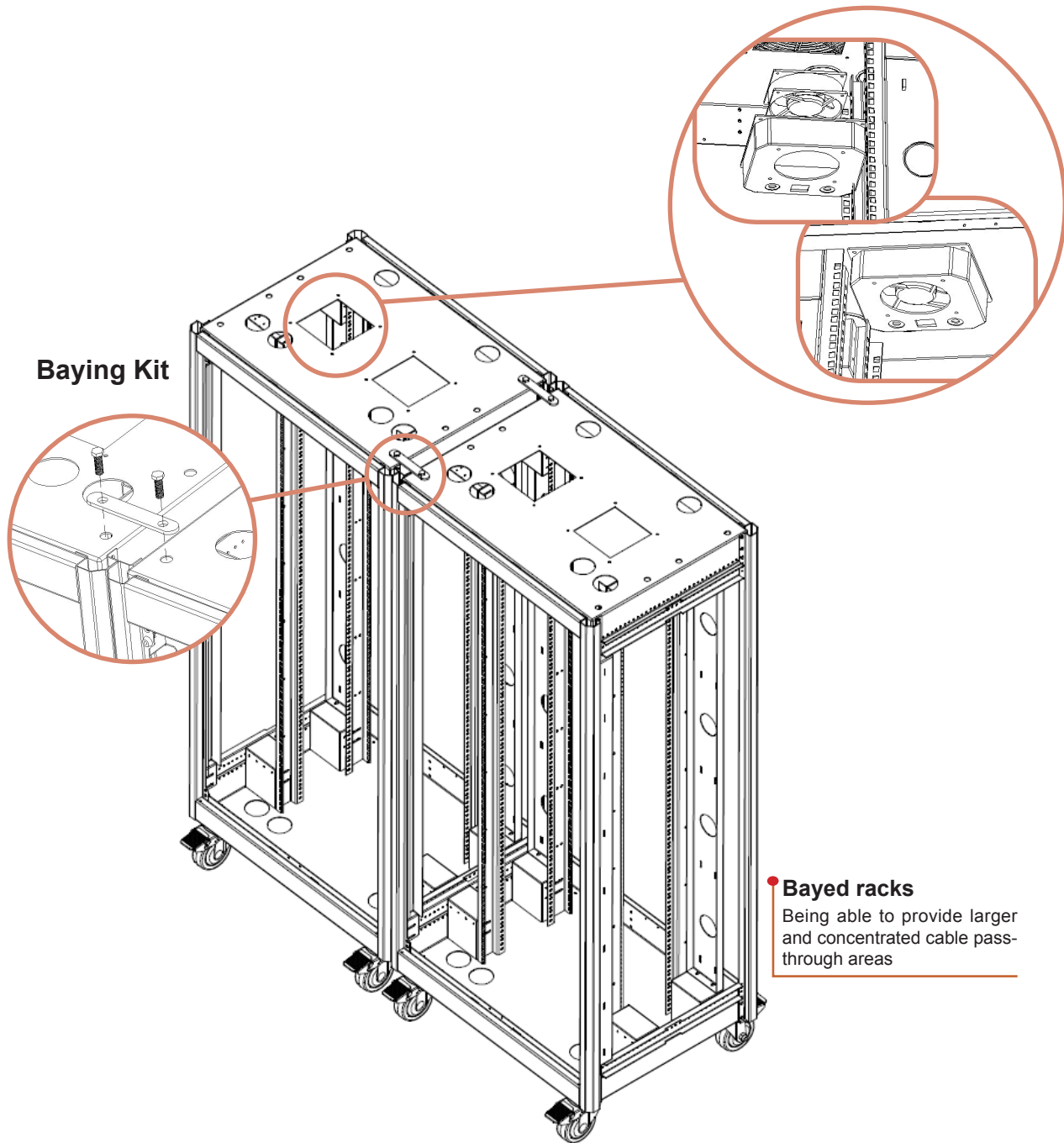
Multi-directional cable management system



Cable Management Panel



# Installation



**Baying Kit**

• **Bayed racks**

Being able to provide larger and concentrated cable pass-through areas

# Creating a Safe Environment

**Heavy Duty Framework**

**1000kg**

holds 2200lbs load rating.

## Safety

Safety is a key concern for cabinets and data centre environments. These rack provides high end structural stability, tested through sequential loading, to ensure it provides a safe working environment. For ease of installation and transportation and has heavy duty rate castors and is static load rated to 1,000kg.



**Heavy Duty Door Hinge**  
Door swings open up to 120°

# Packages & Packing

## Package Options



Standard Package



Package A  
w/o doors &  
side panels



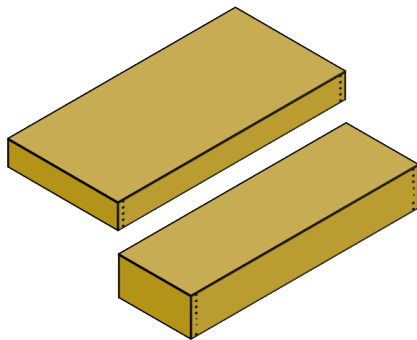
Package B  
w/o side panels



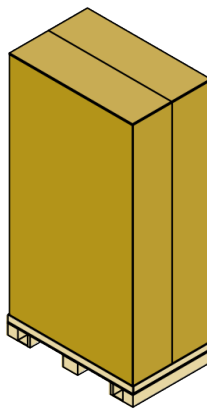
Package C  
w/o doors

- 4 package options available
- Standard Package — Full Set
- Package A — Basic Frame
- Package B — Basic Frame + Doors
- Package C — Basic Frame + Side Panels

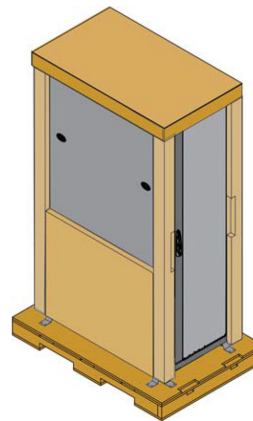
## Packing Form



Flat Packing



Assembly Packing with  
Carton and Pallet



Assembly Packing with  
Wooden Case and Pallet

- Assembly and flat packing available
- Ideal for overseas transportation
- Better safety and protection can be provided