

FEATURES

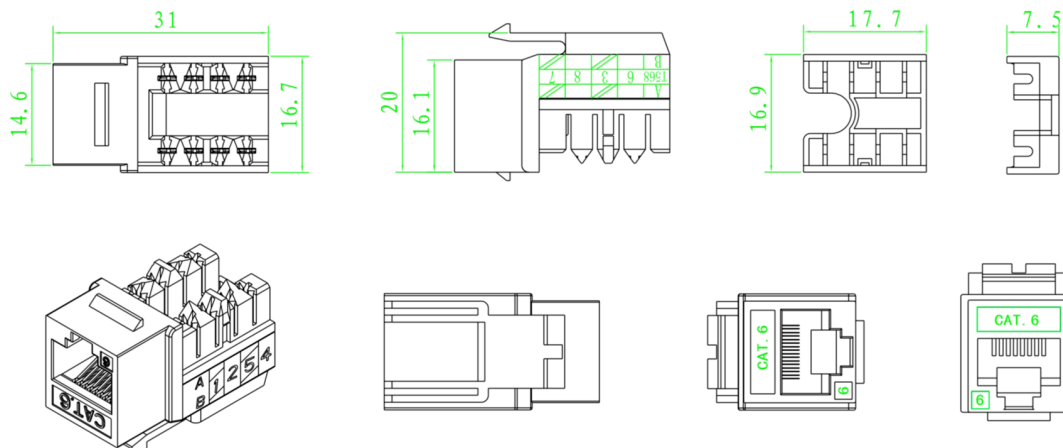
- RJ45 8P8C JACK
- CAT6 ISO11801 OR TIA/EIA 568C
- IDC compatible with 110 tool
- Terminating 4 pairs, 22-26 AWG cable
- Color coded for T568A and T568B wiring schemes
- Fits into keystone panel or faceplates

MATERIAL

RJ45 Jack Housing	ABS+PC White colour
RJ45 Jack Contact	Material: Phosphor bronze, Nickel plated, Gold plated on plug contact area
IDC Housing	PC
IDC	Terminal: Phosphor bronze, Tin plated
IDC Cap	PC transparent colour
PCB	FR4, Thickness: 1.6mm

PERFORMANCE

Wiring specification	T568A & T568B
Insertion force	20N max
Retention strength	7.7 kg. between Jack and Plug
Operating temperature	-10°C to 60°C
Life (mating cycles)	Jack: 750 cycles min
IDC tool	IDC: Suitable for 22-26 AWG solid wire, compatible with 110 punchdown tools



PART NUMBER

61901

Category 6 UTP Keystone Jack 90° Black/ White