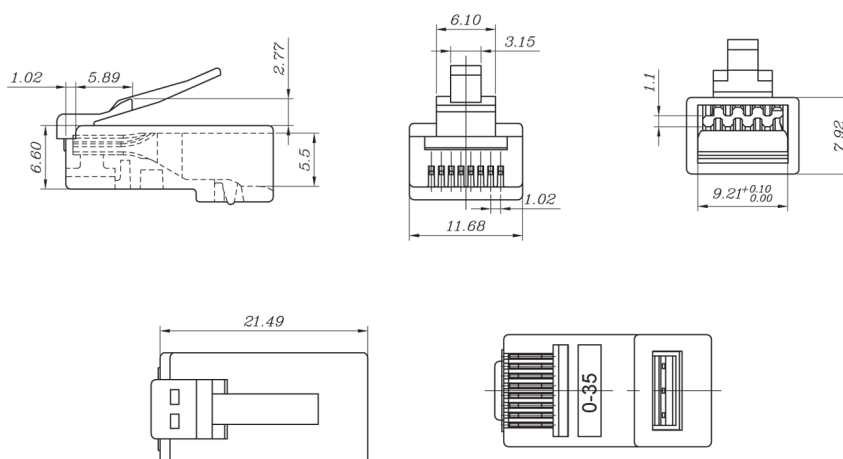


## SPECIFICATIONS

Electrical	<p>UL Applications: 250 volts AC Max AT2 AMPS</p> <p>Dielectric with standing voltage: 1000 Volts AC. 60 SEC</p> <p>Insulation resistance: 500 MΩ</p> <p>Contact resistance: 20 MΩ MAX</p> <p>Operating ambient temperature: -20°C~ 75°C</p>
Mechanical	<p>Strain relief: 20 pound min.</p> <p>Durability: 1200 mating cycles</p>
Material	<p>Housing: Polycarbonate, UL94V-0 or UL94V-2</p> <p>Colour: Transparent or other colour are available</p> <p>Contact blade: Copper alloy</p> <p>Gold plating: 3u ~ 50u", are available</p>
Usage	<p>Suitable for stranded &amp; solid wire 33AWG~26AWG</p> <p>(It can be used for the wire OD from <math>\phi</math> 0.96 ~ <math>\phi</math> 1.02)</p>



## PART NUMBER

6150R

Category 6 Unshielded Modular Plugs