

## FEATURES

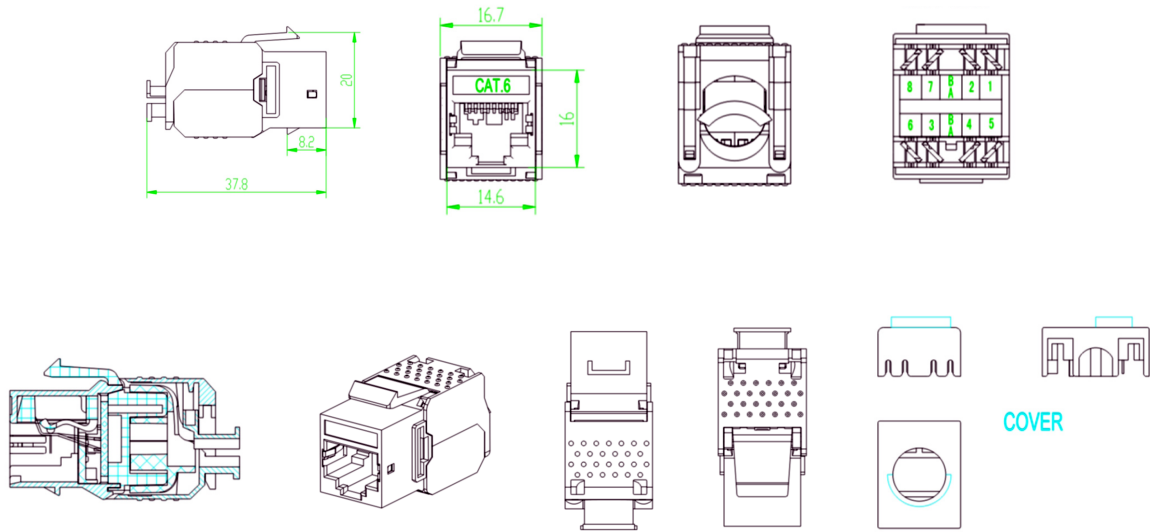
- *RJ45 8P8C JACK*
- *CAT6 ISO11801 OR TIA/EIA 568C*
- *IDC compatible without using tools*
- *Terminating 4 pairs, 22-26 AWG cable*
- *Color coded for T568A and T568B wiring schemes*
- *Fits into keystone panel or faceplates*

## MATERIAL

RJ45 Jack Housing	Zinc alloy
RJ45 Jack Contact	Material: Phosphor bronze, Nickel plated, Gold plated on plug contact area
IDC Housing	PC
IDC	Terminal: Phosphor bronze, Tin plated
IDC Cap	PC
PCB	FR4, Thickness: 1.6mm

## PERFORMANCE

Wiring specification	T568A & T568B
Insertion force	20N max
Retention strength	7.7 kg. between Jack and Plug
Operating temperature	-10°C to 60°C
Life (mating cycles)	Jack: 750 cycles min
IDC tool	Without using tools



## PART NUMBER

651801

Category 6 Shielded Keystone Jack Toolless